

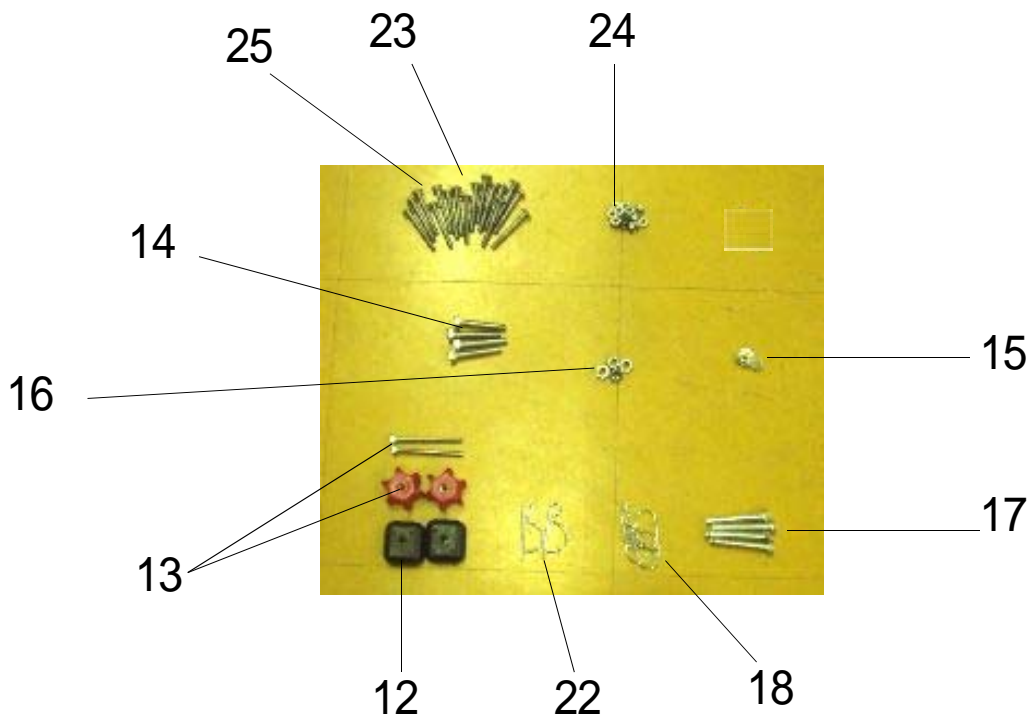
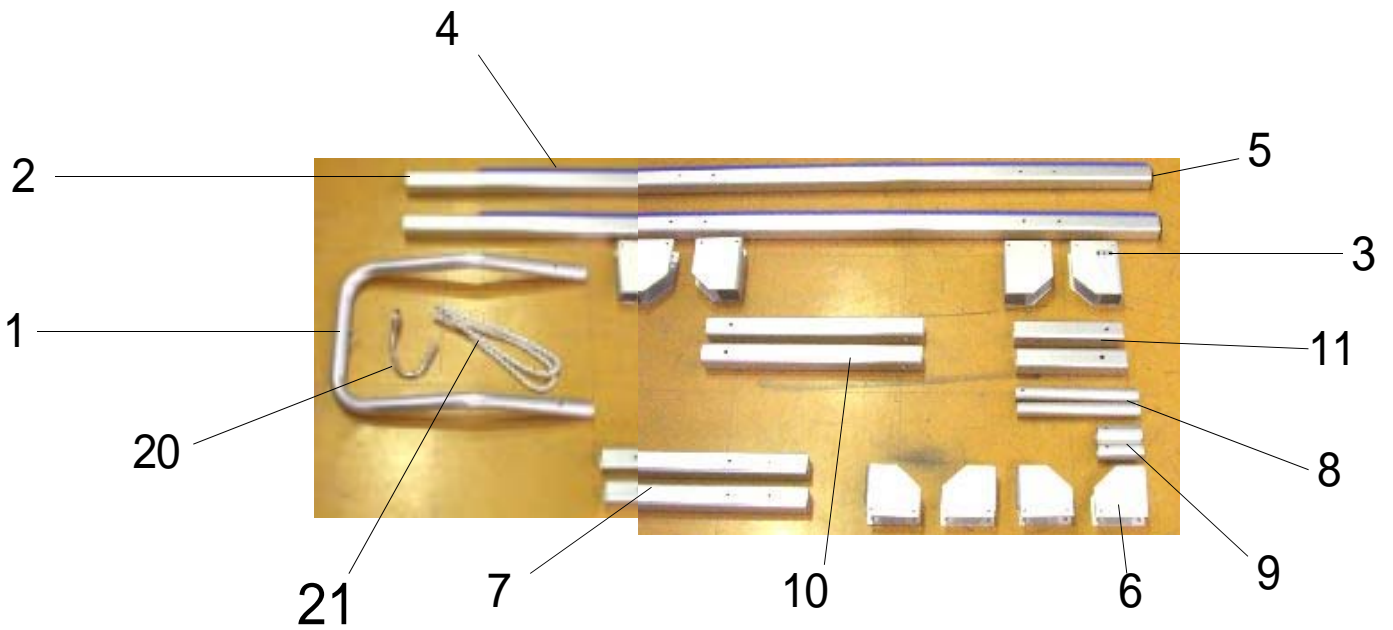
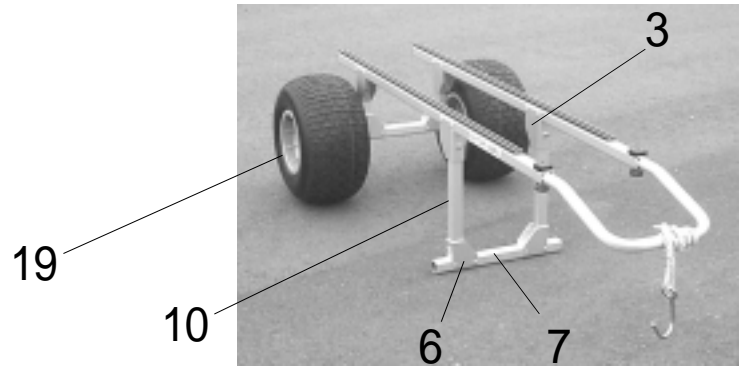
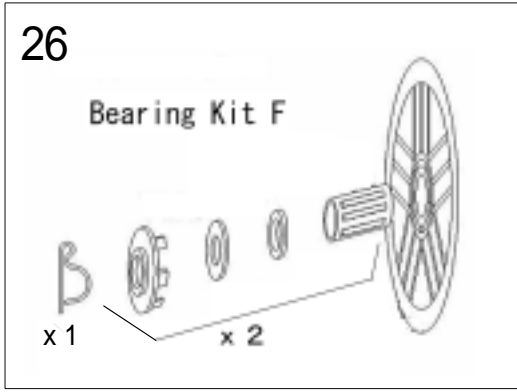


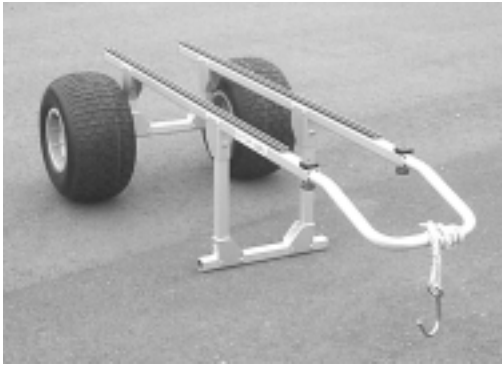
J-130SX PARTS LIST

PHOTO NO	ITEM NO	ITEM DESCRIPTION
1	JS201	Handle
2	JS101	Rail frame
3	IB050120AA	Joint bracket B
4	JL104	Rauncher rail
5	Z6028-1	Cap 38
6	IB040090AA	Joint bracket A
7	JS210	Foot pipe 445mm
8	JS212	Axle shaft for J-130SX
9	JS211	Axle shaft collar for J-130SX
10	JS203	Stand pipe 400mm
11	JS204	Stand pipe 200mm
12	Z6037	Plastic Base
13	JS220	Knob Nut M6x50 with bolt M6-65mm
14	P04-8-50	Bolt M8-50mm
15	P05-08	Spring washer M8
16	P07-08	Nut M8
17	P17-16	Tung Pin M8-55mm
18	P13-130	R pin
19	TA30F	Spare tire type F
20	JL100	Launching hook
21	JL405	Rope 8 x1.2M
22	Z521	D ring
23	P03-6-52	Bolt T type M6-52mm
24	P23-06	Serrated Nut M6
25	P03-6-45	Bolt T type M6-45mm
26	Z7007	Bearing Kit F

J-130SX

FACTORY ZERO

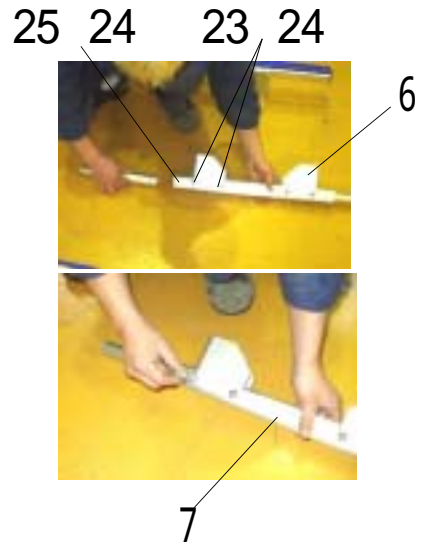
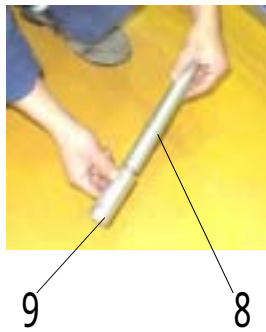
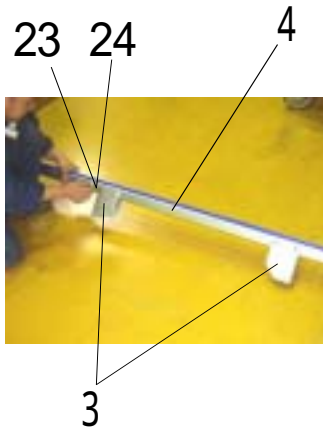




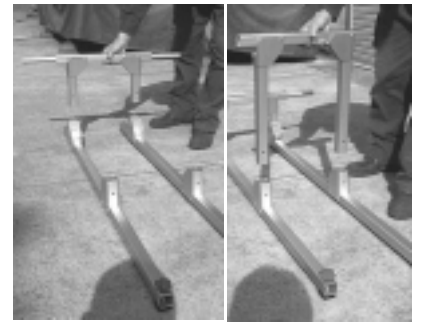
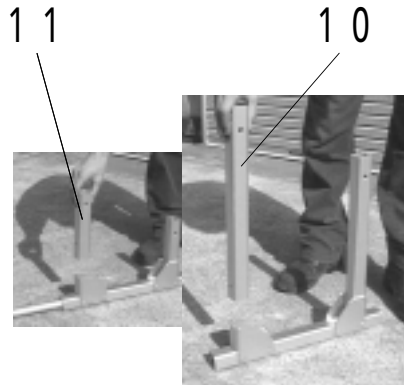
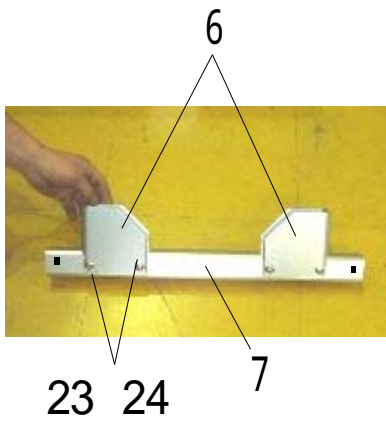
J-130SX JET LAUNCHER for Single

Tire air pressure 0.8kg ~ 1.0kg

STEP 1



STEP 2



STEP 3

