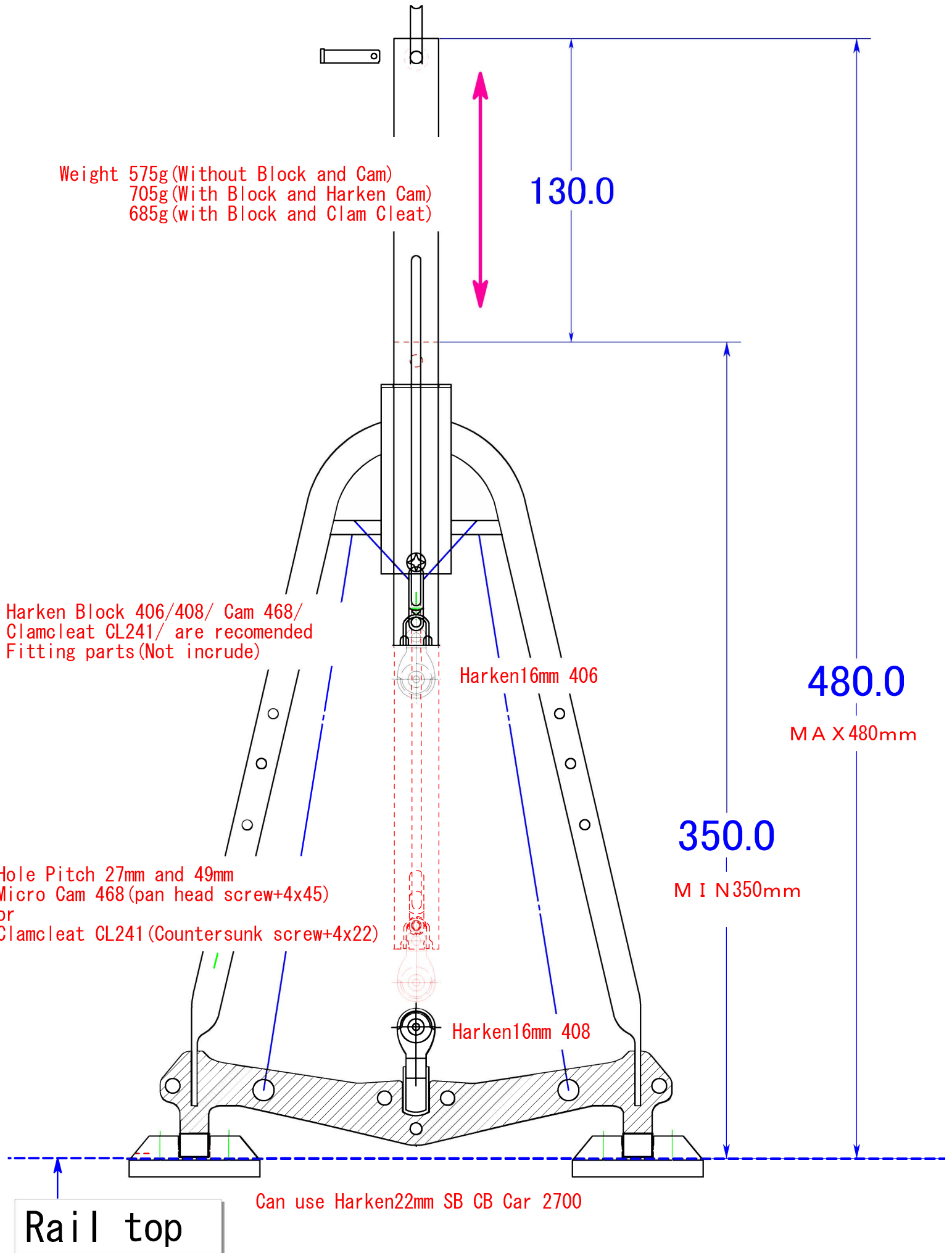


Part Number 6112

Parts Name 470 Hoop with Harken Block (without clam cleat or cam cleat)

Price JPY53,370 (without tax)



Weight 575g (Without Block and Cam)
705g (With Block and Harken Cam)
685g (with Block and Clam Cleat)

130.0

Harken Block 406/408/ Cam 468/
Clamcleat CL241/ are recomended
Fitting parts (Not include)

Harken16mm 406

480.0

M A X 480mm

350.0

M I N 350mm

Hole Pitch 27mm and 49mm
Micro Cam 468 (pan head screw+4x45)
or
Clamcleat CL241 (Countersunk screw+4x22)

Harken16mm 408

Can use Harken22mm SB CB Car 2700

Rail top